

# ROLLUP STANDARD OR MOTORIZED – ROL 41H-01 (MOUNTED EXTERNALLY) INSTRUCTION FOR SHIPMENT, UNPACKING & INSTALLATION



## Shipment

- During the shipment of the insect screen, pay attention not to let the box or package fall. The plastic components could be damaged
- Avoid also other heavy materials being placed on top, that could bend the long profiles of the insect screen

## Unpacking

- Remove all the cardboard packaging from around the product. Pay attention not to cut or to mark the insect screen with cutter or scissors
- Don't leave packaging material where there are children; it could represent a source of danger

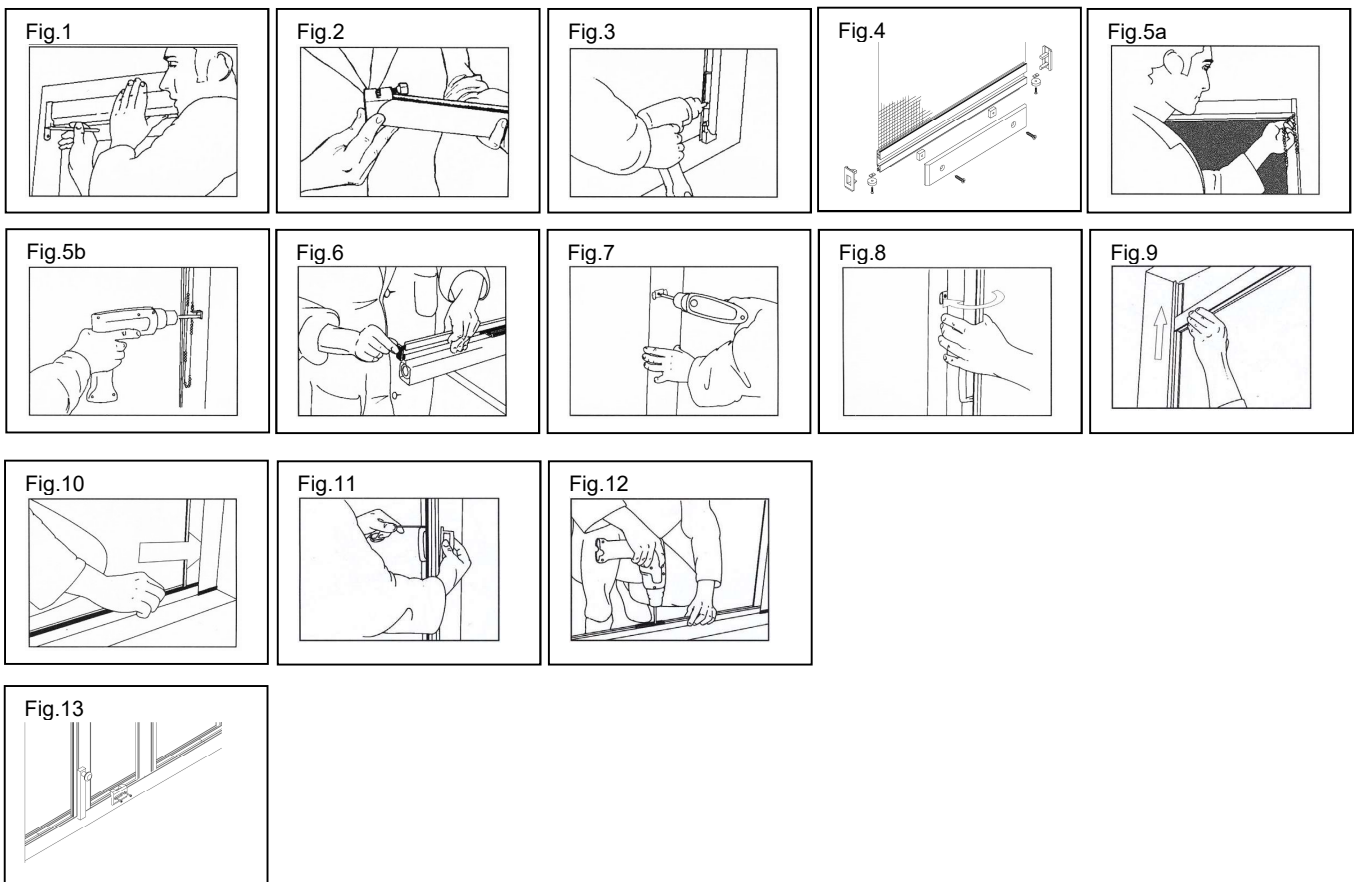
**⚠ ATTENTION:** It is the responsibility of the installer to evaluate the suitability of the fixing systems supplied by the producer and whether to use them, relative to the condition of the materials of the fixing surface (wall) and to applicable standards. During installation, follow workplace safety regulations (Italian only decree 164).

## Installation of vertical retractable insect screen, spring-loaded or chain - operated

- Fix the cassette at the top (Fig. 1)
- Insert the locks into the side guides (Fig. 2)
- Fix the side guides with at least 2 screws each (Fig. 3)
- Adjust the locks (only in the case of adjustable locks)
- Shorten the pull-cord to the desired length (only for spring loaded)
- Only for chain version: fix the weight with his screws (Fig.4), fix the L bracket to hold the chain at whatever height desired. Insert the washers at the top and bottom end of the chain (Fig. 5a and 5b).

## Installation of single horizontal retractable insect screen, Smooth or double horizontal, spring-loaded

- Insert the fixed handle, the wheel and the end cap in the sliding bar profile, so that the wheel is at the bottom when the cassette is installed (Fig. 6)
- Fix the steel clips where the cassette will be located (Fig. 7)
- Fix the cassette(s) into the steel clips (Fig. 8)
- Fix the magnet profile on the opposite side to the Cassette (Note: in the case of the Smooth version, in place of the magnet profile, fix the end caps with pulleys and follow the further attached instructions)
- Fix the top guide (Fig. 9)
- Fix the bottom guide with silicone or bi-adhesive or, if the guide supports are provided, insert them in the magnet profile before inserting it into the guides (Fig. 10)
- If provided, adjust and then fix, the sliding bar wheel, ensuring that the small wheel runs on the guide slightly lifting the sliding bar
- Fix the external handle at around 90cm from floor level, make holes and fix with the special screws (Fig. 11)
- Only for the double horizontal version of Genius Systems 46, 46 In-Built, 41G, join the guides in the middle, using the special insert (Fig. 12)
- Only for the double horizontal version of Systems 41,41S, 41 In-Built, 36 and 31, fix the lock keeps on the edges of the guides, in the desired position (Fig. 13)



# ROLLUP STANDARD OR MOTORIZED – ROL 41H-01 (MOUNTED EXTERNALLY) INSTRUCTION FOR SHIPMENT, UNPACKING & INSTALLATION

## Instructions for use & maintenance

**⚠ ATTENTION:** The insect screen is not any kind of barrier for adults or children. It is therefore strictly recommended not to lean on the mesh. No responsibility for improper use is hereby accepted.

### Vertical spring-loaded systems:

**⚠ ATTENTION:** During the un-latching phase, hold the handle or the pull cord tightly, to avoid the handle bar retracting in an uncontrolled fashion. **The operation of unlatching the insect screen is strongly recommended to be forbidden for children.**

- To unlatch the screen, push the handle bar towards the outside with 2 hands, as in Fig. 14
- During the operations of opening and closing, always use 2 hands so that the handle bar is always parallel with the cassette
- Do not loose the handle bar or the pull cord as it rises. Any strong and violent hits could break plastic components. It is therefore recommended to install the Brake
- In the case of strong wind, the mesh can come out of the side guides. In this case, before retracting the screen gently help the mesh back into the guides by hand
- To avoid many of the aforementioned problems, the use of the Brake is always recommended

### Vertical chain operated systems

- During the operations of opening and closing, do not pull the chain at too acute an angle
- In case the chain becomes particularly hard to operate, do not force it. Something has probably stopped the mechanism
- In the case of strong wind, the mesh can come out of the side guides. In this case before retracting the screen, gently help the mesh back into the guides by hand
- **⚠ ATTENTION:** The chain of the insect screen could cause suffocation in the case of improper use by a child. Put the chain in the "L" rest after use

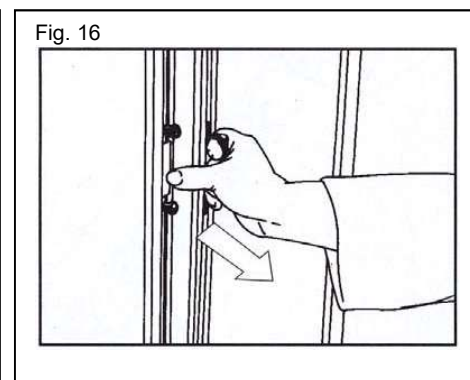
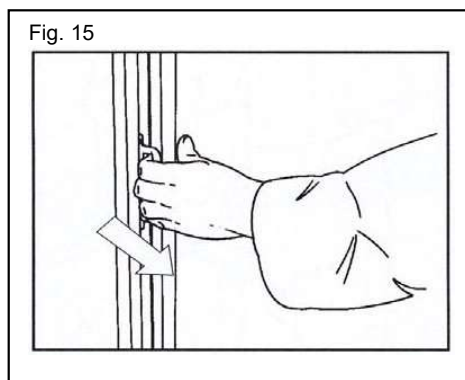
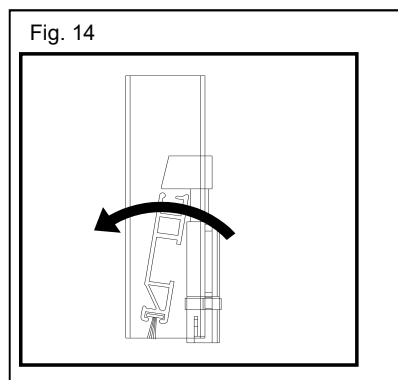
### Horizontal systems

- In the single or double horizontal systems with magnetic closing, to open the insect screen, press with the thumbs on the connection, twisting the handle bar, as shown in Fig. 15 and 16
  - Do not loose handle bar whilst it is retracting. Always accompany the handle bar profile until it reaches the cassette.
- Note: This action is not necessary when using the Brake or the Smooth system

- **⚠ ATTENTION:** Pay attention to the step created by the guide on the floor

### Instructions for maintenance

- Periodically clean the net with a damp sponge, being careful not to take the risk of leaning out of the window
- Periodically clean inside the guides and the cassette cleaning out any object resting in there (wasp nests, leaves, dead insects, etc.)



**⚠ ATTENTION:** The installer is obliged to give to the final user, the Use & Maintenance Manual and it is the responsibility of the user to keep it. If the insect screen is not installed and used according to the conditions shown in the manual, the fabricator refutes responsibility for damage to things or people.

### CERTIFICATE OF CONFORMITY CE

This product conforms to the Standard EN 13561 and Directive 98/37/CE.  
Insect Screen Mod. Retractable. Wind Resistance: 1



Stamp and signature of the retailer